



// Bonito PRO X-2620 and X-1250

## High Bandwidth CoaXPress cameras



### Camera Highlights

Model	Sensor	Sensor type	Sensor size	Cell size	Resolution	Frame rate	Lens mount
Bonito PRO X-2620	ON Semi PYTHON 25K	CMOS global shutter	APS-H	4.5 $\mu\text{m}$ x 4.5 $\mu\text{m}$	26.2 MP 5120 (H) x 5120 (V)	80 fps	F-Mount
Bonito PRO X-1250	ON Semi PYTHON 12K	CMOS global shutter	4/3"	4.5 $\mu\text{m}$ x 4.5 $\mu\text{m}$	12.5 MP 4096 (H) x 3072 (V)	160 fps	F-Mount

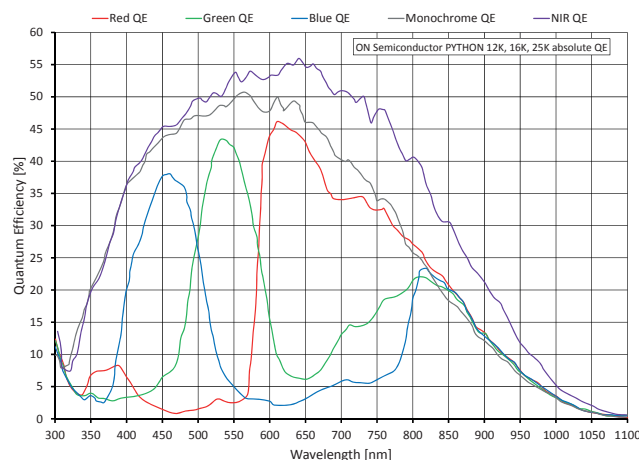
The Bonito PRO is Allied Vision's brand new high-bandwidth camera series with CoaXPress interface. Equipped with 4 x CXP-6 high-speed connections the camera is capable to transmit up to 25 Gbit/s image data. The first two Bonito PRO models support the latest high-resolution ON Semi PYTHON CMOS sensors with 26.2 MP and 12.5 MP resolutions. With these sensors you can choose not only between mono and color versions, but also an NIR extended option offering an increased sensitivity over the whole visible and near infrared spectral range. The combination of ON Semi PYTHON CMOS sensors with the Bonito PRO's rugged, fanless housing design, and its comprehensive feature set make these cameras an ideal choice for high-definition imaging applications demanding high throughput, robustness, and design-in flexibility.

Bonito PRO cameras are available with the F-mount lens adapter as the standard option. M58, M42, and EF-mount options are also available through our Modular Concept to accommodate a wide range of lenses for your needs.

### Feature Highlights

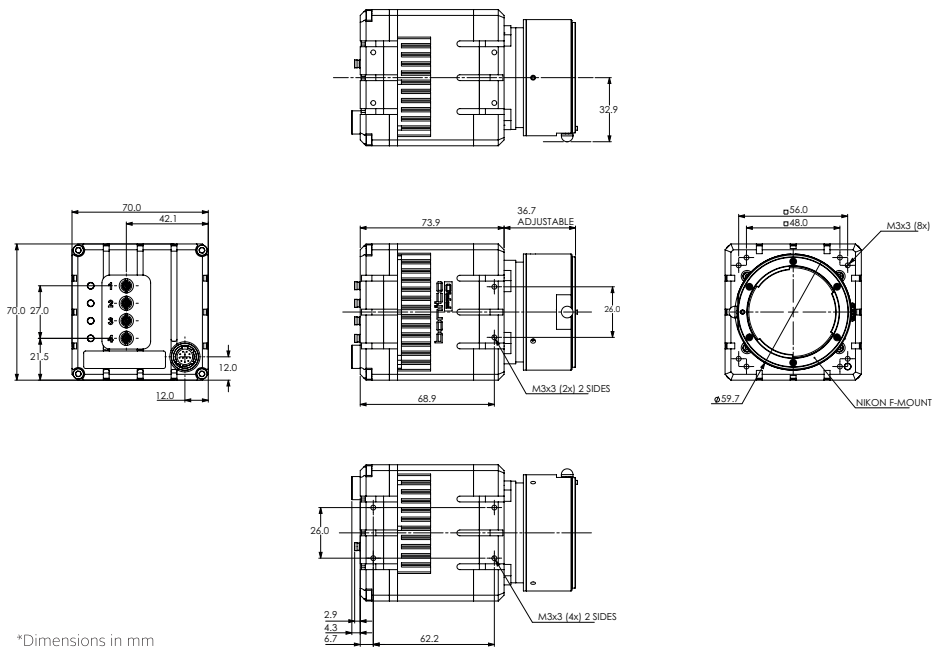
- // Power over CoaXPress (PoCXP)
- // Extended temperature range for camera operation
- // Sequencer Mode
- // Multiple Region of Interest (ROI)
- // Fixed Pattern Noise Correction (FPNC)
- // Defect Pixel Correction (DPC)
- // Look-up tables, gamma, and color correction
- // Binning
- // Decimation

### Absolute Quantum Efficiency



## Mechanics

---



## Our All-around Offering

---

At Allied Vision, you get more than just a great camera. We help you find the best imaging solution for your application. Our selected accessories such as optics and cables, ensure optimal performance. And our technical support experts are at your side during system integration and for the whole lifetime of your cameras.

Contact us! We will be pleased to advise you.

- // Save time and costs through easy integration into various machine vision applications
- // Benefit from the latest state-of-the-art CMOS sensors
- // Rely on high-performance and stability

## Applications

---

- // Outdoor imaging, e.g. Intelligent Traffic Systems (ITS), aerial mapping, public security and surveillance
- // Industrial inspection, e.g. flat pannel inspection, PCB inspection, and semiconductor inspection, 2D/3D surface inspection
- // Machine Vision