

# I/O Cables for Alvium USB Cameras

## 7-Pin JST Screw Lock to Open End

## Supported camera families

Allied Vision Alvium USB cameras



### Alvium USB cameras documentation

For more information, see the Alvium USB Cameras User Guide at [www.alliedvision.com/en/support/technical-documentation/alvium-usb-documentation](http://www.alliedvision.com/en/support/technical-documentation/alvium-usb-documentation).

## Avoiding material damage to the camera



### NOTICE

#### Malfunctions and short circuits by damaged cables and connectors

Provide sufficient strain relief for all cable connections.

## Power supply voltage for I/O cables

If you are using I/O cables, voltage drops may result, causing the following issues:

- The camera cannot be operated.
- The camera does not respond to trigger pulses.
- The output signal to control devices connected to the camera is not recognized.

To provide a proper power supply voltage, adjust the DC input voltage at the open ends of the cable as shown in Table 1.



### NOTICE

#### Damage to camera electronics

The following values apply to the Allied Vision I/O cables shown.

If you are using your own cables, ensure the power supply voltage at the camera connector side is 4.5 to 5.5 VDC.

Product code	Product description	Length	Power supply voltage
12322	I/O cable 7-pin JST with screw locks, 3 m	3 m ±100 mm	4.5 to 5.5 VDC
17070	I/O cable 7-pin JST with screw locks, 5 m	5 m ±100 mm	5 to 5.5 VDC

<sup>1</sup>At the open ends of the cable

Table 1: Adjusted values for power supply voltage by I/O cable length

## Importer into the EU

Elektrosil GmbH  
Ruhrstraße 53  
22761 Hamburg, Germany

Tel// +49 40 84 00 01-0  
Fax// +49 40 84 00 01-65

## Distributor in the EU

Allied Vision Technologies GmbH  
Taschenweg 2a  
07646 Stadtroda, Germany

Tel// +49 36428 677-0  
Fax// +49 36428 677-28

## Contacting Allied Vision

### General

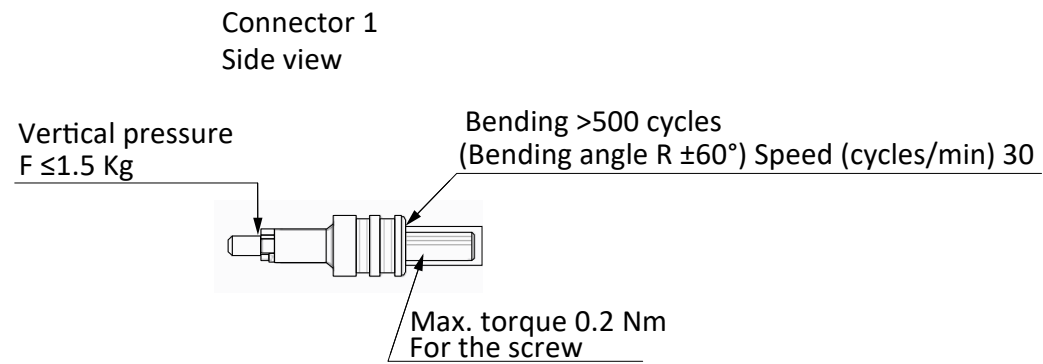
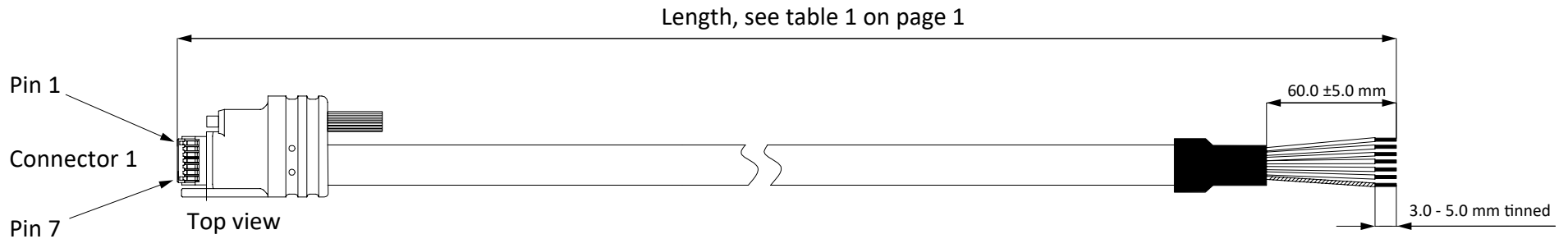
[www.alliedvision.com/en/contact](http://www.alliedvision.com/en/contact)  
[info@alliedvision.com](mailto:info@alliedvision.com)

### Distribution partners

[www.alliedvision.com/en/avt-locations/avt-distributors](http://www.alliedvision.com/en/avt-locations/avt-distributors)

### Support

[www.alliedvision.com/en/support](http://www.alliedvision.com/en/support)  
[www.alliedvision.com/en/about-us/contact-us/technical-support-repair-/-rma](http://www.alliedvision.com/en/about-us/contact-us/technical-support-repair-/-rma)



Wiring table

Pins		
Connector 1	Color	AWG
1	Red	#22
2	Brown	#28
3	Orange	#28
4	Yellow	#28
5	Green	#28
6	Black	#22
7	Transparent	Braid