



Karmin3 is intended for use with SceneScan or SceneScan Pro image processing systems. Karmin3 is not for individual sale.

Specifications

Sensor resolution	2048 x 1536 pixels
Sensor	Sony Pregius IMX265
Sensor format	1/1.8"
Lens mount	C/CS-mount
Chroma	Mono / color
Shutter	Global shutter
Interface	USB 3.0
Trigger-input	4-pin Binder M8 connector 5 cm / 10 cm / 25
Stereo baseline distance	cm
Mounting bottom side	4x M3 threaded hole 1x 1/4" UNC threaded hole (tripod mount)
Mounting top side	2x M3 threaded hole
Weight without lenses	330 g for 5 cm baseline 350 g for 10 cm baseline 470 g for 25 cm baseline
Conformity	CE, UKCA, FCC, RoHS

Operating voltages for trigger port

Maximum allowed lens intrusion

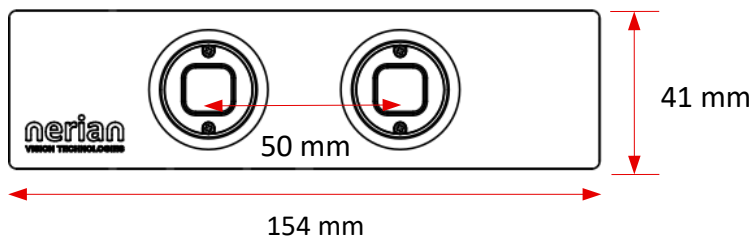
Voltage	Description	Mount type	Maximum intrusion
-70 up to +40 VDC	Absolute max. voltage	CS-mount	5.2 mm
0 up to +30 VDC	Safe operating range	C-mount	10.2 mm (with 5 mm spacer ring)

Supported trigger frequencies / frame rates

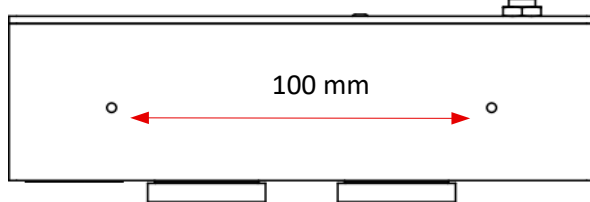
Binning / Demosaicing	SceneScan model	Disparity range	Max. frequencies
2 x 2 monochrome binning	SceneScan	128	16 Hz
2 x 2 monochrome binning	SceneScan Pro	256	34 Hz
Color (binning)	SceneScan Pro	256	32 Hz
Full resolution monochrome	SceneScan Pro	256	7 Hz

Technical drawing

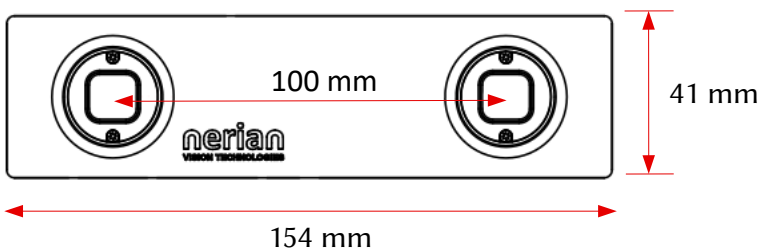
Karmin3 5 cm baseline Front



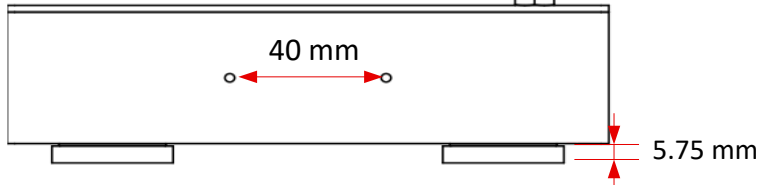
Bottom



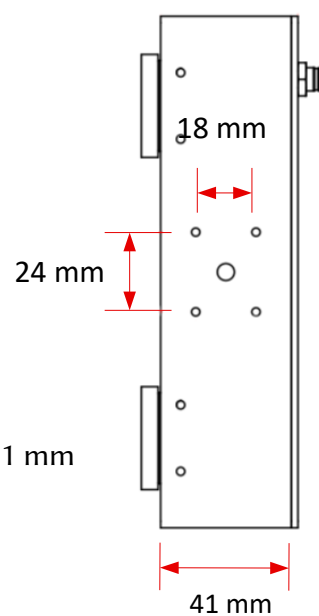
Karmin3 10 cm baseline Front



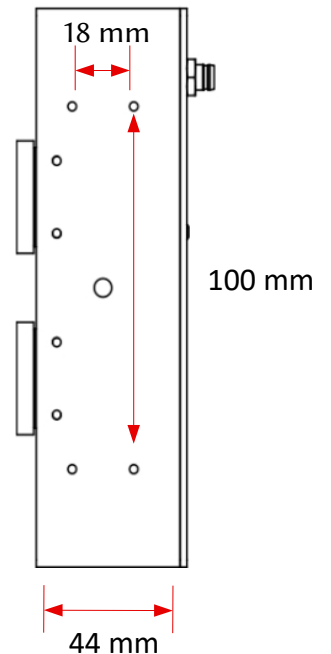
Bottom



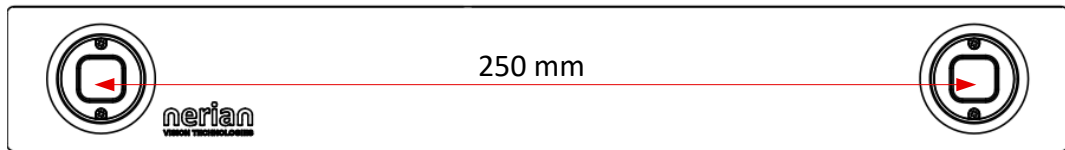
Top



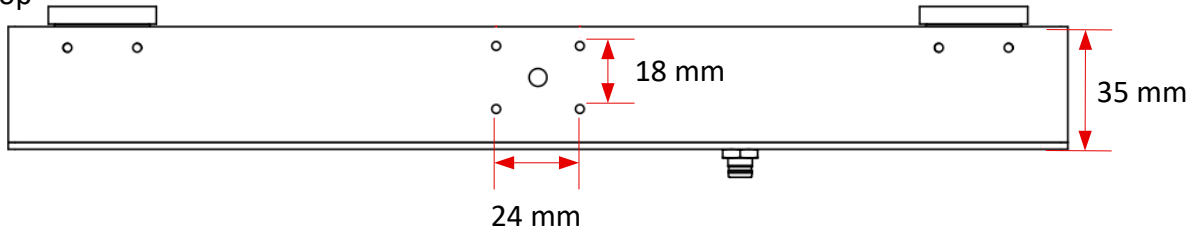
Top



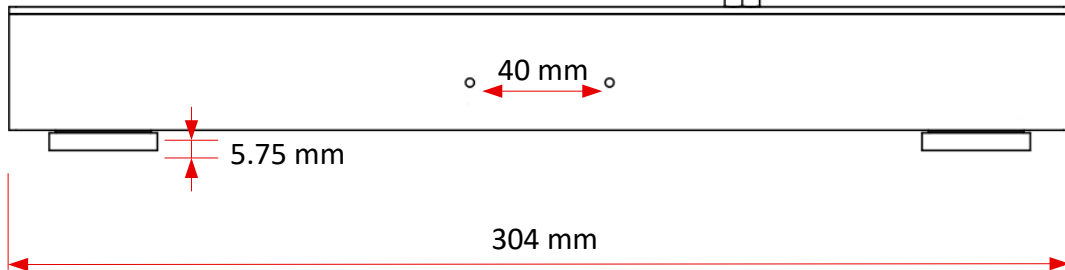
Karmin3 25 cm baseline Front



Top



Bottom



Pin assignment of trigger connector

Pin	Assignment
1	Trigger 0 (opto-isolated)
2	Not connected Ground
3	(opto-isolated) Not connected
4	connected

