

Guppy

F-044



- IEEE 1394a camera
- Lightweight
- Robust design
- Machine vision camera

Lightweight and robust

Guppy - Ultra-compact camera with IEEE 1394a interface

Guppy F-044 with Sony ICX419 runs 25 frames per second at 0.4 MP resolution.

Guppy is an ultra-compact, inexpensive IEEE 1394a VGA machine vision camera. This reliable mainstream FireWire camera addresses a wide range of imaging applications. With its ultra-compact, small housing, Guppy is the perfect fit for all applications with space constraints.

Easy software integration with [Allied Vision's Vimba Suite](#) and compatibility to the most popular third party image-processing libraries.

See the [Customization and OEM Solutions webpage](#) for hardware options.

Specifications

Interface	IEEE 1394a - 400 Mb/s, 1 port
Resolution	752 (H) × 580 (V)
Sensor	Sony ICX419
Sensor type	CCD Interlaced
Sensor size	Type 1/2
Pixel size	8.6 μm × 8.6 μm
Lens mount (default)	C-Mount, CS-Mount
Max. frame rate at full resolution	25 fps
ADC	12 Bit

Output

Bit depth	8-bit
Monochrome pixel formats	Mono8
RGB color pixel formats	n/a
Raw color pixel formats (Bayer)	Raw8

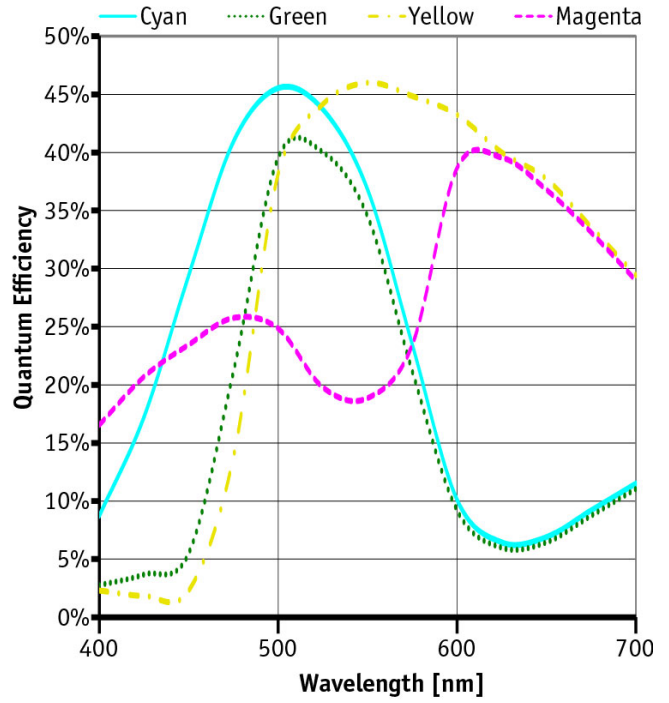
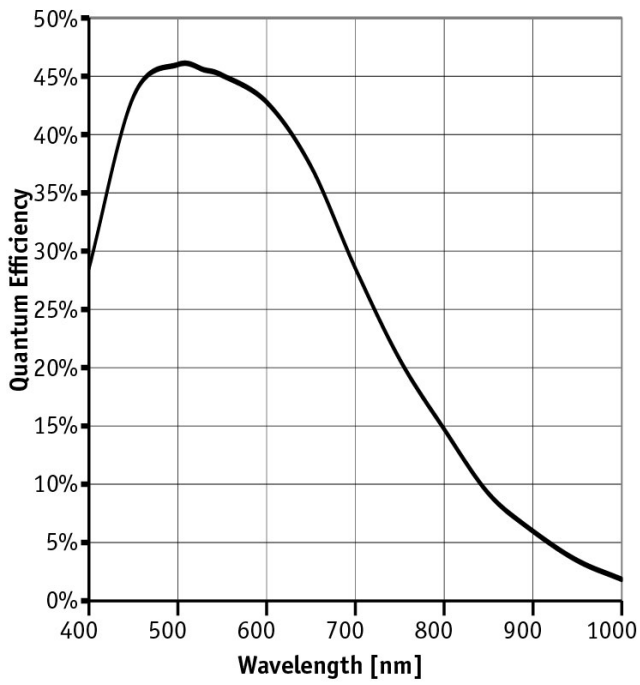
General purpose inputs/outputs (GPIOs)

TTL I/Os	1 input, 3 outputs
RS232	1

Operating conditions/dimensions

Operating temperature	+5 °C to +45 °C
Power requirements (DC)	8 V to 36 V
Power consumption	<2 W (@ 12 VDC)
Mass	50 g
Body dimensions (L × W × H in mm)	48.2 × 30 × 30 (including connectors)

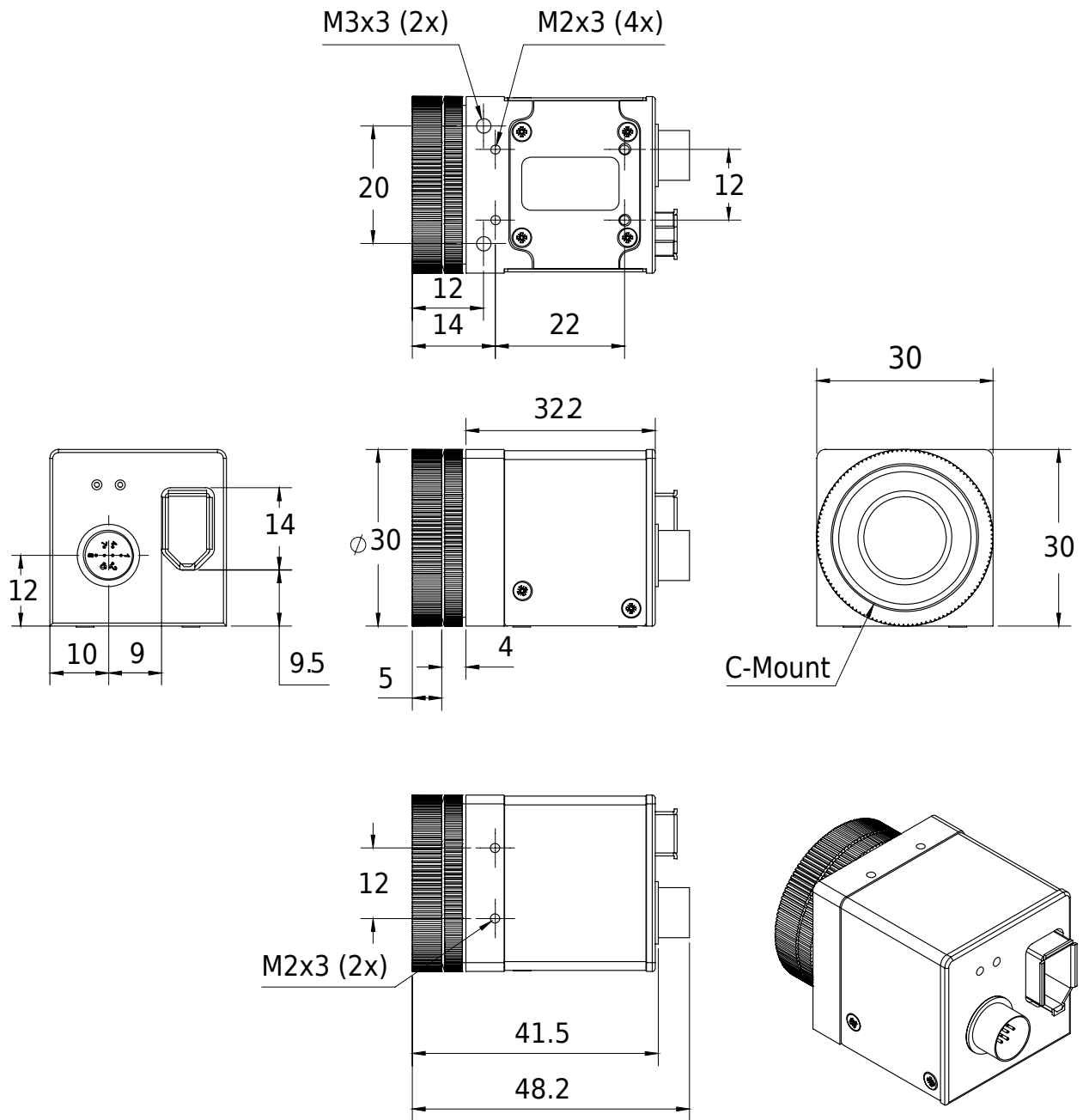
Quantum efficiency



Features

Look-up table (LUT) Area of interest (AOI), separate AOI for auto features
Auto gain (0 to 24 dB)
Auto exposure (62 μ s to 67 s) Auto white balance Storable user sets

• Technical drawing



Applications

Due to the very sensitive interlaced sensor, the Guppy F-044B/F-044C is a very inexpensive, easy solution for the switch from analog to digital cameras, e.g for quality control. The Guppy F-044B NIR version has enhanced near infrared sensitivity.

- Machine vision
- Quality control
- Industrial inspection
- Robotics
- Security and surveillance
- Pharma
- Semiconductor inspection
- ITS/Traffic monitoring