



- Ultra-compact design
- Affordable
- Power over Ethernet
- 30.3 fps at full resolution

Small and powerful

Ultra-compact GigE Vision cameras

Mako G-125 with Sony ICX445 runs 30.3 frames per second at 1.2 MP resolution.

Mako G is an attractively priced GigE Vision-compliant camera in a compact rugged industrial housing. Many models include advanced functionalities such as Precision Time Protocol (PTP), Trigger over Ethernet (ToE) Action Commands, and Power over Ethernet (PoE). Screw mount RJ45 connector and multiple I/Os facilitate your straightforward system integration. Mako G cameras are also available as Near Infrared (NIR) and polarizer variants.

Easy software integration with Allied Vision's [Vimba Suite](#) and compatibility to the most popular [third party image-processing libraries](#).

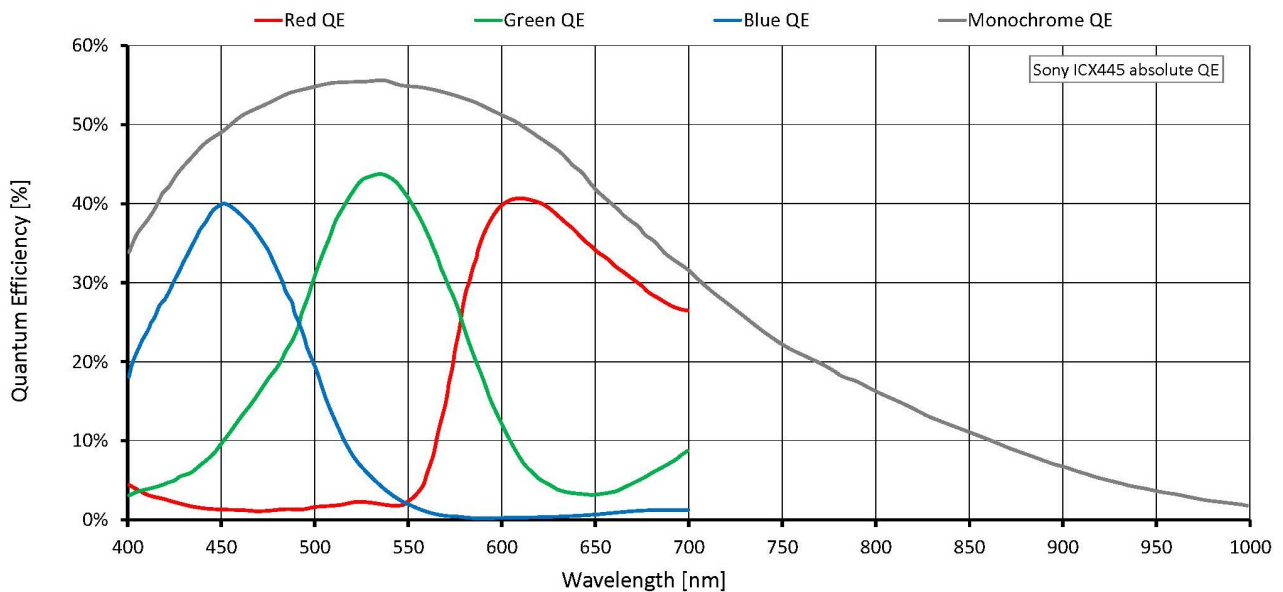
See the [Modular Concept](#) for lens mount, housing variants, optical filters, case design, and other modular options. See the [Customization and OEM Solutions](#) webpage for additional options.

Specifications

Mako G-125	
Interface	IEEE 802.3 1000BASE-T, IEEE 802.3af (PoE)
Resolution	1292 (H) × 964 (V)
Sensor	Sony ICX445
Sensor type	CCD Progressive
Shutter mode	Global shutter
Sensor size	Type 1/3
Pixel size	3.75 μm × 3.75 μm

Mako G-125	
Lens mounts (available)	C-Mount, CS-Mount
Max. frame rate at full resolution	30.3 fps
ADC	14 Bit
Image buffer (RAM)	64 MByte
Imaging performance	
Imaging performance data is based on the evaluation methods in the EMVA 1288 Release 3.1 standard for characterization of image sensors and cameras. Measurements are typical values for monochrome models measured at full resolution without optical filter. Contact Sales or AE for more information.	
Quantum efficiency at 529 nm	56 %
Temporal dark noise	8.3 e ⁻
Saturation capacity	8800 e ⁻
Dynamic range	60.0 dB
Absolute sensitivity threshold	8.8 e ⁻
Output	
Bit depth	8/12 Bit
Monochrome pixel formats	Mono8, Mono12, Mono12Packed
YUV color pixel formats	YUV411Packed, YUV422Packed, YUV444Packed
RGB color pixel formats	RGB8Packed, BGR8Packed
Raw pixel formats	BayerRG8, BayerRG12, BayerRG12Packed
General purpose inputs/outputs (GPIOs)	
Opto-isolated I/Os	1 input, 3 outputs
Operating conditions/dimensions	
Operating temperature	+5 °C to +45 °C housing temperature
Power requirements (DC)	10.8 to 26.4 VDC AUX or 802.3at Type 1 PoE
Power consumption	2.3 W at 12 VDC; 2.7 W PoE
Mass	80 g (with C-Mount)
Body dimensions (L × W × H in mm)	60.5 × 29.2 × 29.2 (including connectors)
Regulations	CE: 2014/30/EU (EMC), 2011/65/EU, including amendment 2015/863/EU (RoHS); FCC Class B; CAN ICES-003

Quantum efficiency



Features

Image optimization features:

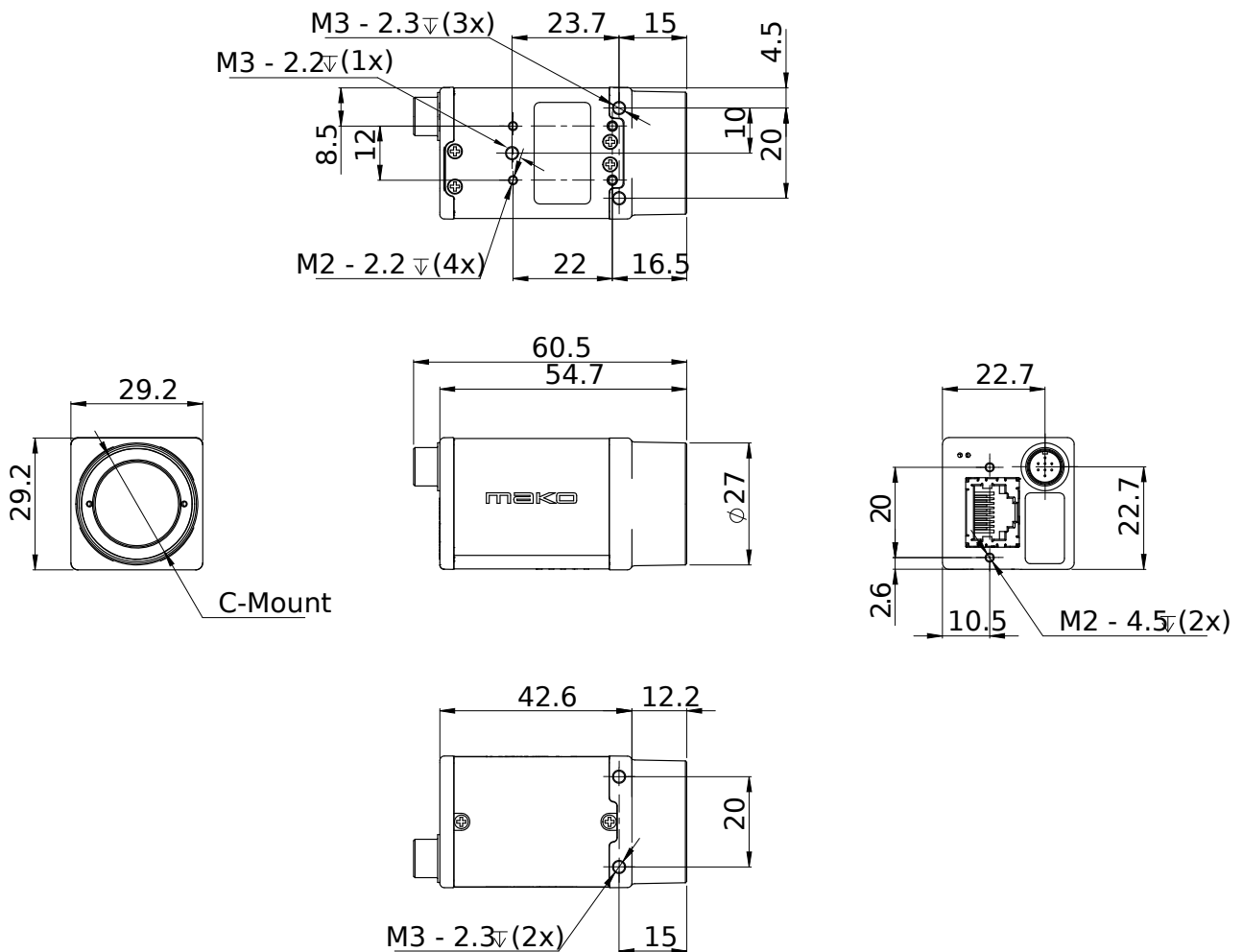
- Auto gain (manual gain control: 0 to 30 dB; 1 dB increments)
- Auto exposure (manual exposure control: 12 μ s to 84 s; 1 μ s increments)
- Auto white balance (color models)
- Binning
- Color correction, hue, saturation (color models)
- Gamma correction
- One look-up table
- Region of interest, separate region for auto features

Camera control features:

- Event channel
- Image chunk data
- Storable user sets

- StreamBytesPerSecond (bandwidth control)
- Stream hold
- Sync out modes: Trigger ready, input, exposing, readout, imaging, strobe, GPO
- Temperature monitoring (main board only)

Technical drawing



Applications

Mako G is suitable for all typical applications in machine vision:

- Robotics



- Quality control
- Inspection, surveillance
- Industrial imaging
- Machine vision
- Logistics