

- Teledyne e2v Sapphire CMOS sensor
- Switchable shutter modes
- Power over Ethernet
- 60 fps at full resolution

Small and powerful

Ultra-compact GigE Vision cameras

Mako G-192 with Teledyne e2v EV76C570 runs 60.0 frames per second at 1.9 MP resolution.

Mako is an attractively priced GigE Vision-compliant camera in a compact rugged industrial housing. Many models include advanced functionalities such as Precision Time Protocol (PTP), Trigger over Ethernet (ToE) Action Commands, and Power over Ethernet (PoE). Screw mount RJ45 connector and multiple I/Os facilitate your straightforward system integration. Mako cameras are also available as Near Infrared (NIR) and polarizer variants.

Easy software integration with Allied Vision's [Vimba Suite](#) and compatibility to the most popular [third party image-processing libraries](#).

See the [Modular Concept](#) for lens mount, housing variants, optical filters, case design, and other modular options. See the [Customization and OEM Solutions](#) webpage for additional options.

Specifications

Mako G-192	
Interface	IEEE 802.3 1000BASE-T, IEEE 802.3af (PoE)
Resolution	1600 (H) × 1200 (V)
Sensor	Teledyne e2v EV76C570
Sensor type	CMOS
Shutter mode	Global, Global reset, and Rolling shutter
Sensor size	Type 1/1.8

Mako G-192

Pixel size	4.5 μm \times 4.5 μm
Lens mount (default)	C-Mount, CS-Mount
Max. frame rate at full resolution	60 fps
ADC	10 Bit
Image buffer (RAM)	64 MByte

Imaging performance

Imaging performance data is based on the evaluation methods in the EMVA 1288 Release 3.1 standard for characterization of image sensors and cameras. Measurements are typical values for monochrome models measured at full resolution without optical filter. Contact Sales or AE for more information.

Quantum efficiency at 529 nm	43 %
Temporal dark noise	21.6 e^-
Saturation capacity	5500 e^-
Dynamic range	48.0 dB
Absolute sensitivity threshold	22.2 e^-

Output

Bit depth	8/10 Bit
Monochrome pixel formats	Mono8, Mono10
YUV color pixel formats	YUV411Packed, YUV422Packed, YUV444Packed
RGB color pixel formats	RGB8Packed, BGR8Packed
Raw pixel formats	BayerGB8, BayerGB10

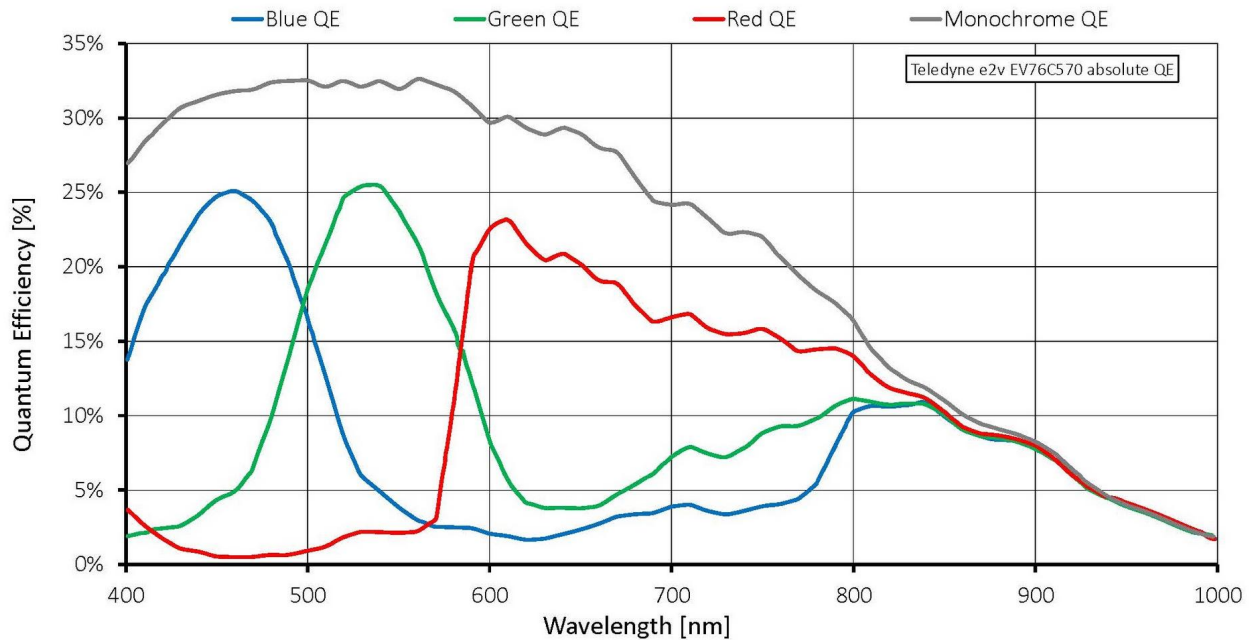
General purpose inputs/outputs (GPIOs)

Opto-isolated I/Os	1 input, 3 outputs
--------------------	--------------------

Operating conditions/dimensions

Operating temperature	+5 $^{\circ}\text{C}$ to +45 $^{\circ}\text{C}$ housing temperature
Power requirements (DC)	10.8 to 26.4 VDC AUX or 802.3at Type 1 PoE
Power consumption	2.1 W at 12 VDC; 2.4 W PoE
Mass	80 g (with C-Mount)
Body dimensions (L \times W \times H in mm)	60.5 \times 29.2 \times 29.2 (including connectors)
Regulations	CE: 2014/30/EU (EMC), 2011/65/EU, including amendment 2015/863/EU (RoHS); FCC Class B; CAN ICES-003

Quantum efficiency



Features

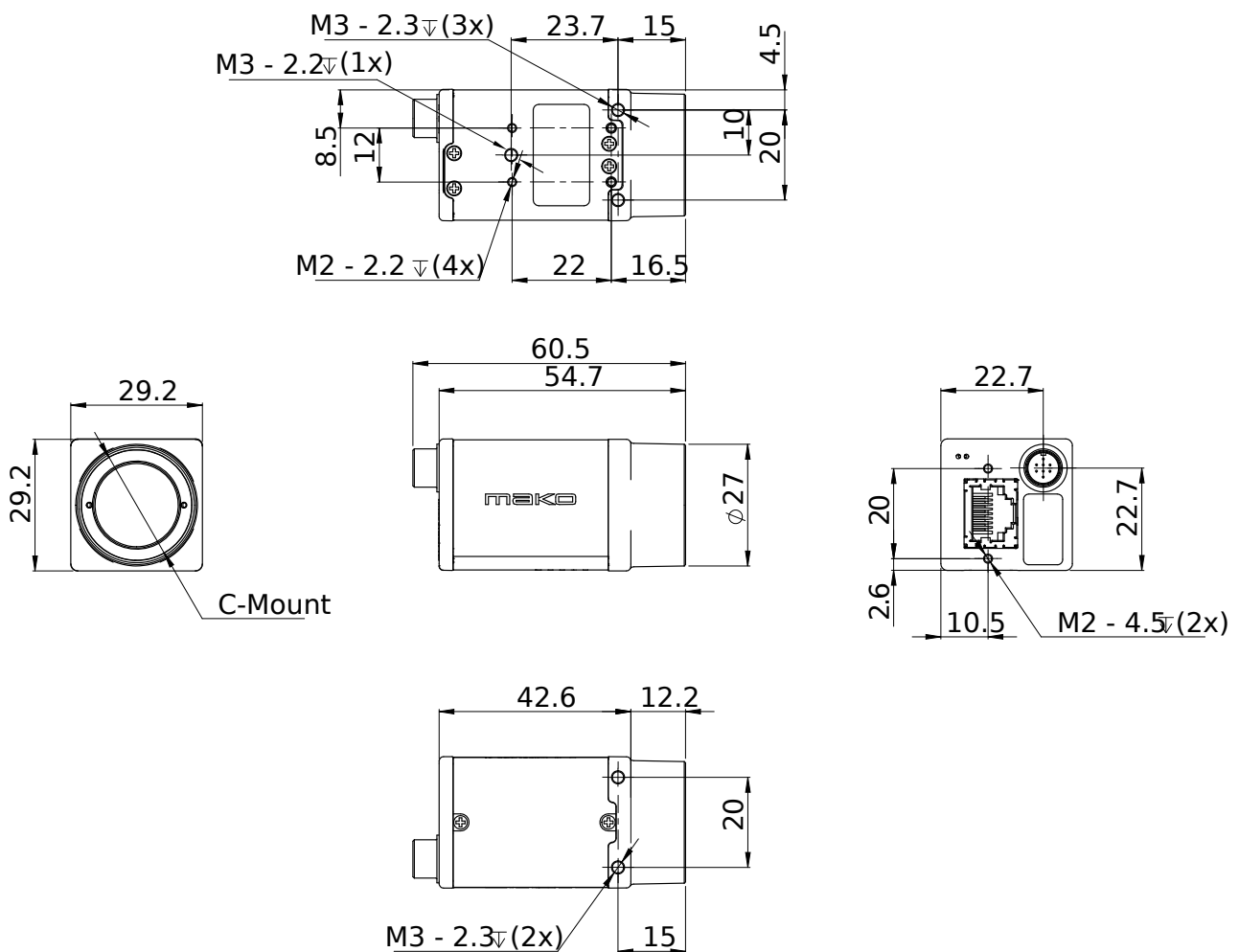
Image optimization features:

- Auto gain (manual gain control: 0 to 24 dB; 1 dB increments)
- Auto exposure (exposure time control varies by pixel format)
- Auto white balance (color models)
- Binning (1x1 and 2x2 binning)
- Color correction, hue, saturation (color models)
- Decimation
- Defect pixel masking (user defined with Defect Mask Loader tool)
- Gamma correction
- One look-up table
- Region of interest, separate region for auto features
- Reverse X/Y

Camera control features:

- Event channel
- Image chunk data
- Storable user sets
- StreamBytesPerSecond (bandwidth control)
- Stream hold
- Sync out modes: Trigger ready, input, exposing, readout, imaging, strobe, GPO
- Switchable Rolling, Global, Global Reset shutter modes
- Temperature monitoring (main board only)

Technical drawing





Applications

Mako G is suitable for all typical applications in machine vision:

- Robotics
- Quality control
- Inspection, surveillance
- Industrial imaging
- Machine vision
- Logistics