

Prosilica GC

750



- GigE Vision interface
- Rugged housing
- IEEE 1588 PTP
- Auto iris

Compact performance

Prosilica GC - Ultra-compact GigE Vision camera

Prosilica GC 750 with ON Semi MT9V022 runs 67 frames per second at 0.4 MP resolution.

The Prosilica GC is a GigE camera with an ultra-compact, lightweight housing, fast frame rates, and auto-iris control. It offers a large choice of CCD and CMOS sensors up to 5 Megapixels and fits a wide range of applications.

Easy software integration with [Allied Vision's Vimba Suite](#) and compatibility to the most popular third party image-processing libraries.

See the [Modular Concept](#) for lens mount, housing variants, optical filters, case design, and other modular options. See the [Customization and OEM Solutions webpage](#) for additional options.

Specifications

Interface	IEEE 802.3 1000BASE-T
Resolution	752 (H) × 480 (V)
Sensor	ON Semi MT9V022
Sensor type	CMOS
Shutter mode	GS (Global shutter)
Sensor size	Type 1/3
Pixel size	6 μm × 6 μm
Lens mount (default)	C-Mount
Max. frame rate at full resolution	67 fps
ADC	10 Bit
Image buffer (RAM)	16 MByte

Output

Bit depth	8-bit or 10-bit
Monochrome pixel formats	Mono8, Mono10
RGB color pixel formats	RGB8Packed, BGR8Packed, RGBA8Packed, BGRA8Packed
Raw color pixel formats (Bayer)	BayerBG8, BayerBG10

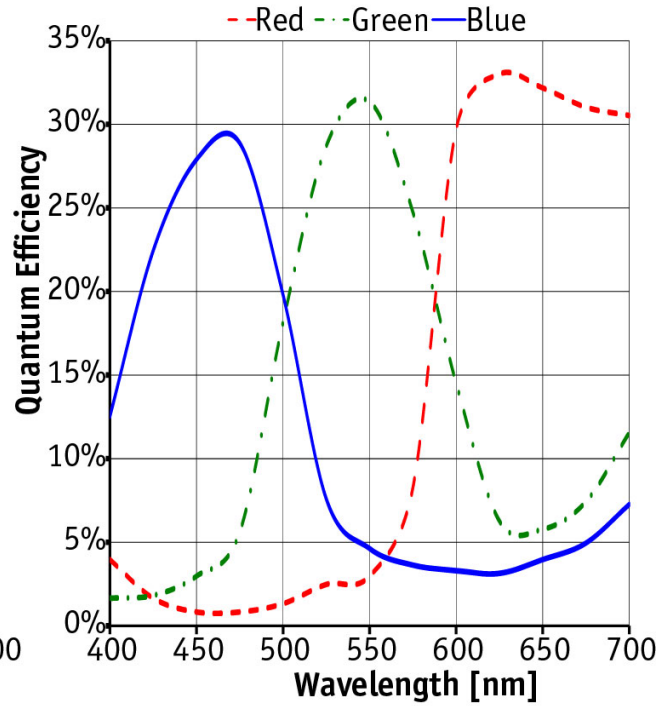
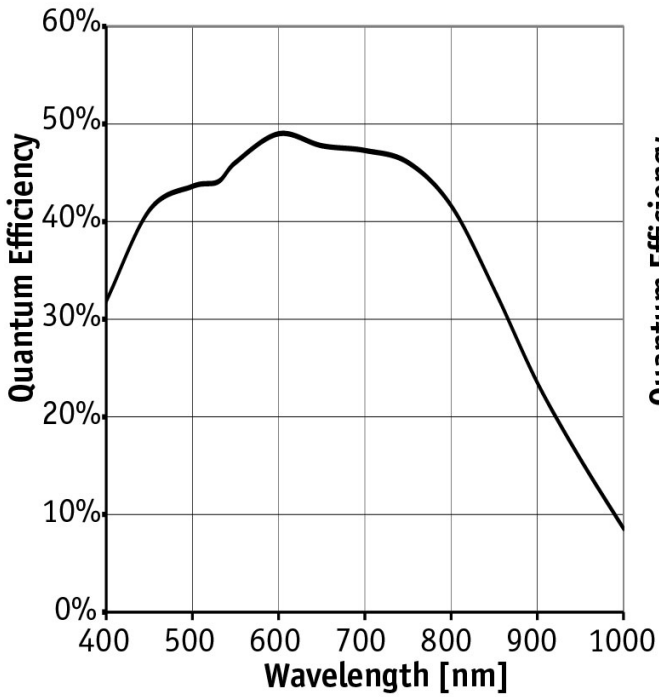
General purpose inputs/outputs (GPIOs)

TTL I/Os	1 input, 1 output
Opto-isolated I/Os	1 input, 1 output
RS232	1

Operating conditions/dimensions

Operating temperature	0 °C to +50 °C ambient (without condensation)
Power requirements (DC)	5 to 25 VDC
Power consumption	2.2 W at 12 VDC
Mass	85 g
Body dimensions (L × W × H in mm)	51 × 46 × 33 (including connectors)

Quantum efficiency



Features

Image control: Auto

- Auto exposure
- Auto gain
- Auto white balance (color models)

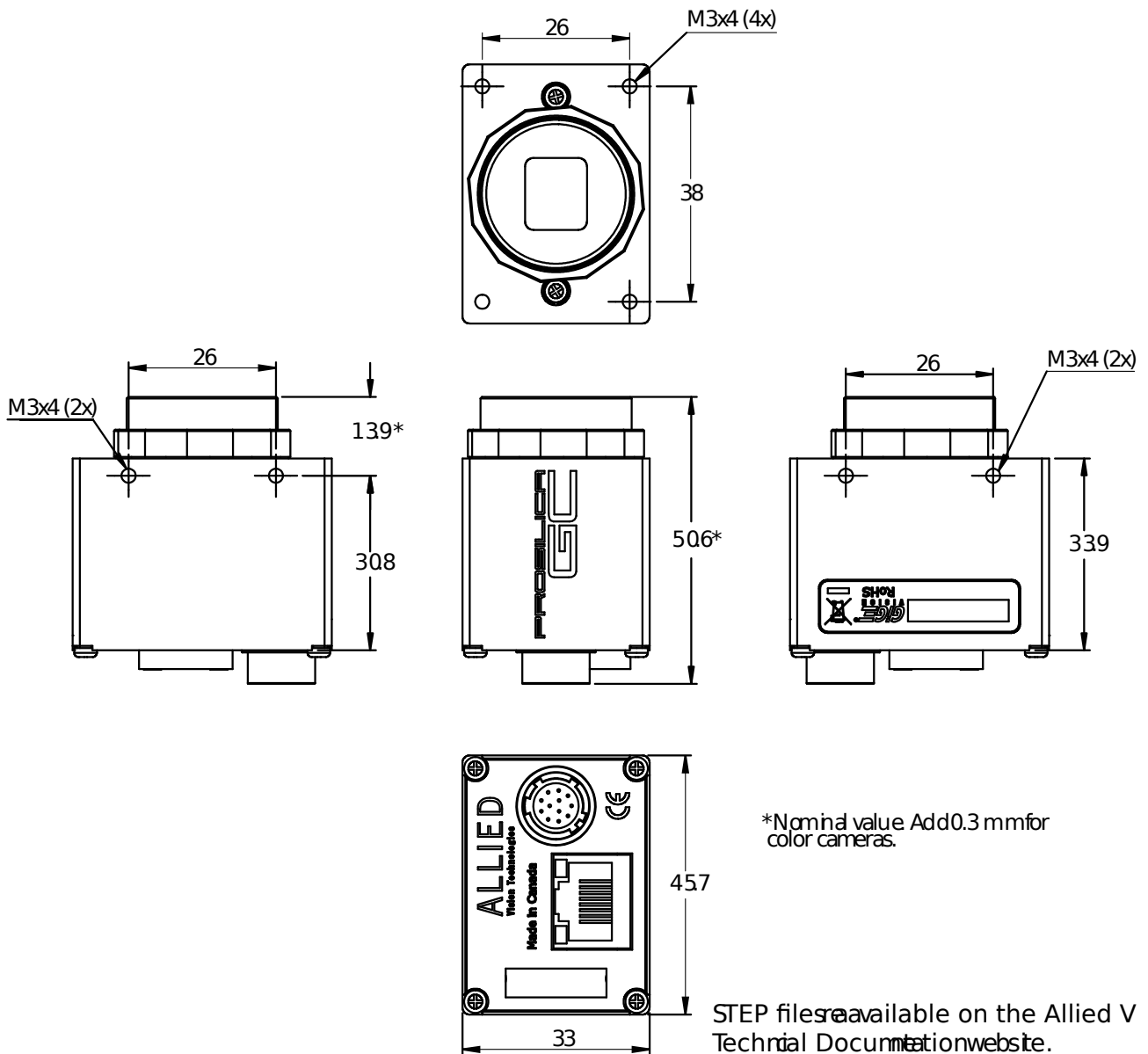
Image control: Other

- ROI (region of interest)

Camera control

- Acquisition frame rate
- Auto iris
- Bandwidth control
- Event channel
- Firmware update in the field
- I/O and trigger control
- Image chunk data
- PTP (IEEE 1588 Precision Time Protocol)
- Stream hold

Technical drawing



Applications

Prosilica GC750 is ideal for a wide range of applications including:

- High-speed inspection
- Machine vision
- Optical character recognition
- Traffic imaging
- Robotics
- OEM applications