

Prosilica GS 2450



- Right-angle CCD camera with low height profile
- 15 fps @ full resolution
- Video-type auto iris
- Sony ICX625 CCD sensor

Landscape or portrait orientation

Right-angle CCD camera with Gigabit Ethernet interface

Prosilica GS 2450 with Sony ICX625 runs 15.0 frames per second at 5.0 MP resolution.

Prosilica GS cameras are periscope-type CCD cameras for industrial and microscopy applications. The compact GS-Series cameras have a Gigabit Ethernet interface (GigE Vision) that allows for very fast frame rates and long cable lengths.

- Compact size
- Very rugged
- Fast frame rates to 120 fps
- VGA to 5 Megapixels
- Landscape or portrait orientation
- Optional white medical housing
- Modular options available

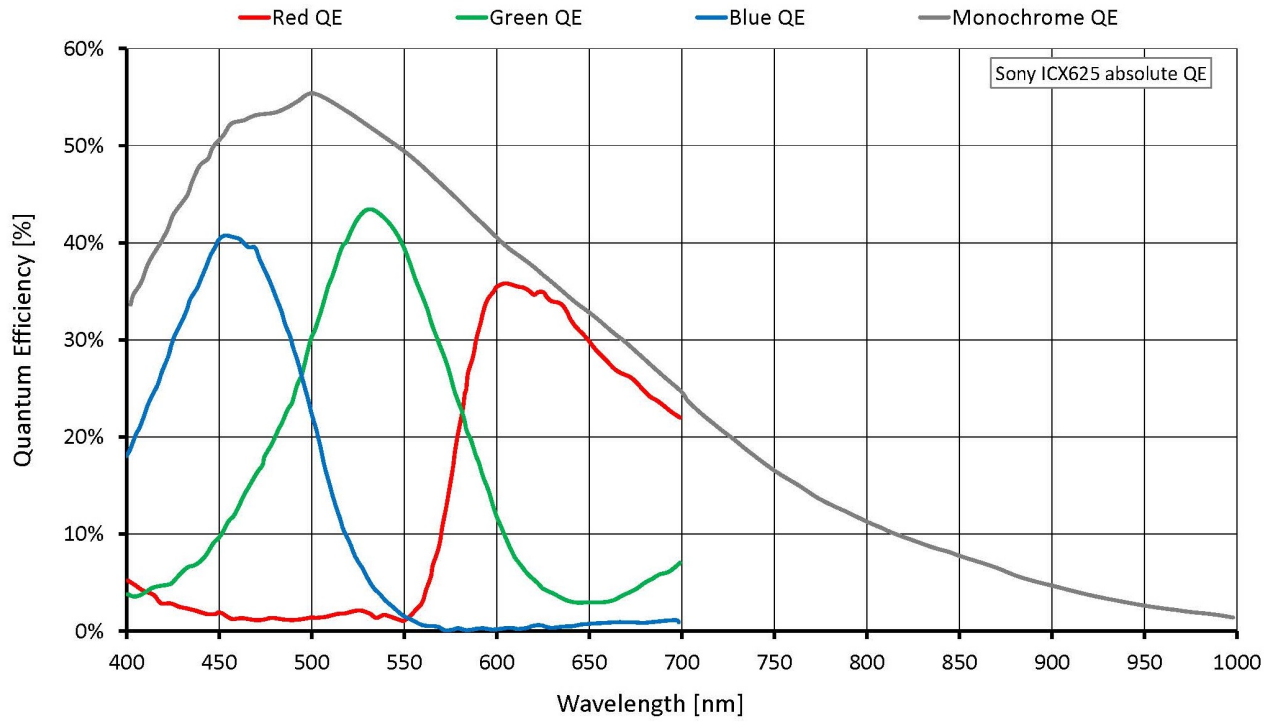
Specifications

Prosilica GS 2450	
Interface	IEEE 802.3 1000baseT
Resolution	2448 (H) × 2050 (V)
Sensor	Sony ICX625
Sensor type	CCD Progressive

Prosilica GS 2450

Shutter mode	Global shutter
Sensor size	Type 2/3
Pixel size	3.45 μm \times 3.45 μm
Lens mount (default)	C-Mount
Max. frame rate at full resolution	15 fps
ADC	14 Bit
Image buffer (RAM)	16 MByte
Output	
Bit depth	8/12 Bit
Monochrome pixel formats	Mono8, Mono12, Mono12Packed
YUV color pixel formats	YUV411Packed, YUV422Packed, YUV444Packed
RGB color pixel formats	RGB8Packed, BGR8Packed
Raw pixel formats	BayerRG8, BayerRG12, BayerGR12Packed
General purpose inputs/outputs (GPIOs)	
TTL I/Os	1 input, 1 output
Opto-isolated I/Os	1 input, 1 output
RS232	1
Operating conditions/dimensions	
Operating temperature	0 °C to +70 °C ambient (without condensation)
Power requirements (DC)	5 to 25 VDC
Power consumption	3.8 W at 12 VDC
Mass	186 g
Body dimensions (L \times W \times H in mm)	96 \times 56 \times 26 (including connectors)
Regulations	CE: 2014/30/EU (EMC), 2011/65/EU, including amendment 2015/863/EU (RoHS); FCC Class A

Quantum efficiency



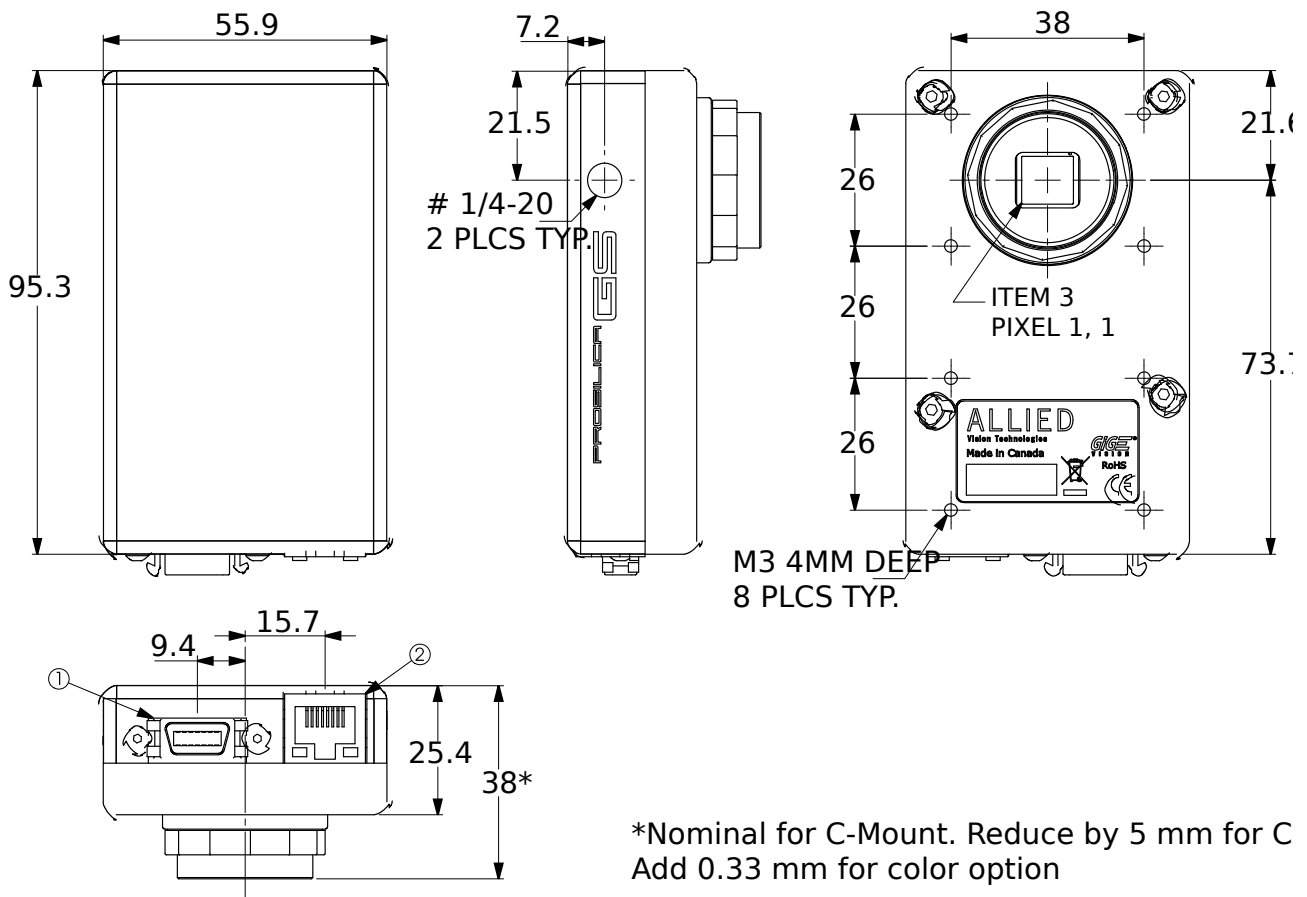
Features

Prosilica GS2450 features include:

- Auto-Iris (video type)
- Region of interest (ROI), DSP subregion (selectable ROI for auto features)
- Binning (Sum)
- Auto gain (manual gain control: 0 to 30 dB)
- Auto exposure (manual exposure controls: 10 μ s to 42.9 s)
- Auto white balance
- StreamBytesPerSecond (bandwidth control)
- Stream hold
- Sync out modes: Trigger ready, input, exposing, readout, imaging, strobe, GPO
- Global shutter (digital shutter)
- Recorder and Multiframe acquisition modes

- Event channel
- Image chunk data
- Storable user sets

Technical drawing



Applications

Prosilica GS2450 is ideal for a wide range of applications including:

- LCD panel inspection
- High-resolution industrial inspection
- 3D metrology
- General machine vision
- Public security



- Surveillance
- Traffic imaging (Intelligent Traffic Systems)
- Embedded systems
- Microscopy