

# Prosilica GT

## 1930L



- Versatile temperature range for extreme environments
- IEEE 1588 PTP
- Power over Ethernet
- EF lens control

Engineered for every environment

## High-resolution cameras for demanding applications

Prosilica GT 1930L with Sony IMX174 runs 50.8 frames per second at 2.4 MP resolution.

The rugged housing optimized for heat dissipation makes Prosilica GT the ideal solution for harsh environments. The various lens control options allow constant adjustment of the image brightness to changing light conditions. Offering resolutions of up to 31 megapixels, they are ideal for high-definition imaging applications with demanding requirements of robustness and design-in flexibility.

Easy software integration with Allied Vision's **Vimba Suite** and compatibility to the most popular **third party image-processing libraries**.

See the **Modular Concept** for lens mount, housing variants, optical filters, case design, and other modular options. See the **Customization and OEM Solutions** webpage for additional options.

## Specifications

Prosilica GT 1930L	
Interface	IEEE 802.3 1000BASE-T, IEEE 802.3af (PoE)
Resolution	1936 (H) × 1216 (V)
Sensor	Sony IMX174
Sensor type	CMOS
Shutter mode	Global shutter
Sensor size	Type 1/1.2

## Prosilica GT 1930L

Pixel size	5.86 $\mu\text{m}$ $\times$ 5.86 $\mu\text{m}$
Lens mount (default)	EF-Mount
Max. frame rate at full resolution	50.8 fps
ADC	12 Bit
Image buffer (RAM)	128 MByte

## Imaging performance

Imaging performance data is based on the evaluation methods in the EMVA 1288 Release 3.1 standard for characterization of image sensors and cameras. Measurements are typical values for monochrome models measured at full resolution without optical filter.

Quantum efficiency at 529 nm	69 %
Temporal dark noise	6.0 $e^-$
Saturation capacity	32600 $e^-$
Dynamic range	73.5 dB
Absolute sensitivity threshold	6.9 $e^-$

## Output

Bit depth	12 Bit
Monochrome pixel formats	Mono8, Mono12Packed, Mono12
YUV color pixel formats	YUV411Packed, YUV422Packed, YUV444Packed
RGB color pixel formats	RGB8Packed, BGR8Packed
Raw pixel formats	BayerRG8, BayerRG12, BayerRG12Packed

## General purpose inputs/outputs (GPIOs)

TTL I/Os	1 input, 2 outputs
Opto-isolated I/Os	1 input, 2 outputs
RS232	1

## Operating conditions/dimensions

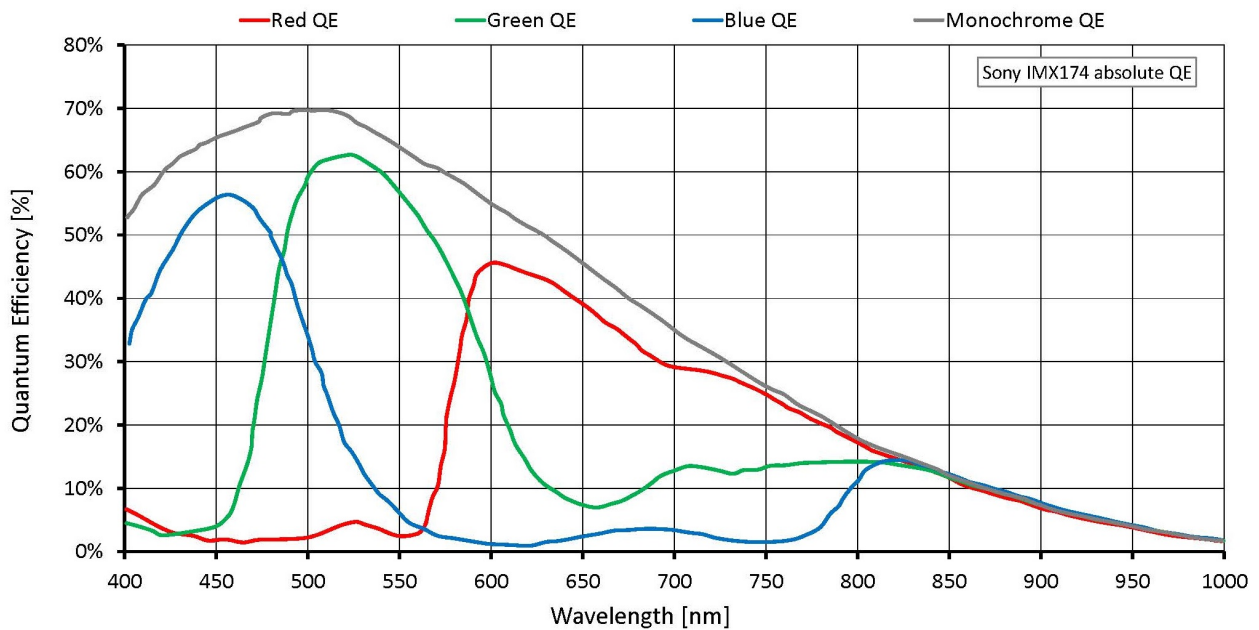
Operating temperature	-30 °C to +70 °C housing (without condensation)
Power requirements (DC)	7 to 25 VDC AUX or 802.3at Type 1 PoE
Power consumption	3.24 W at 12 VDC; 3.88 W PoE
Mass	372 g
Body dimensions (L $\times$ W $\times$ H in mm)	96 $\times$ 66 $\times$ 53.3 (including connectors)

## Prosilica GT 1930L

### Regulations

CE: 2014/30/EU (EMC), 2011/65/EU, including amendment 2015/863/EU (RoHS); FCC Class A; CAN ICES-003 Issue 4/5

## Quantum efficiency



## Features

### Image optimization features:

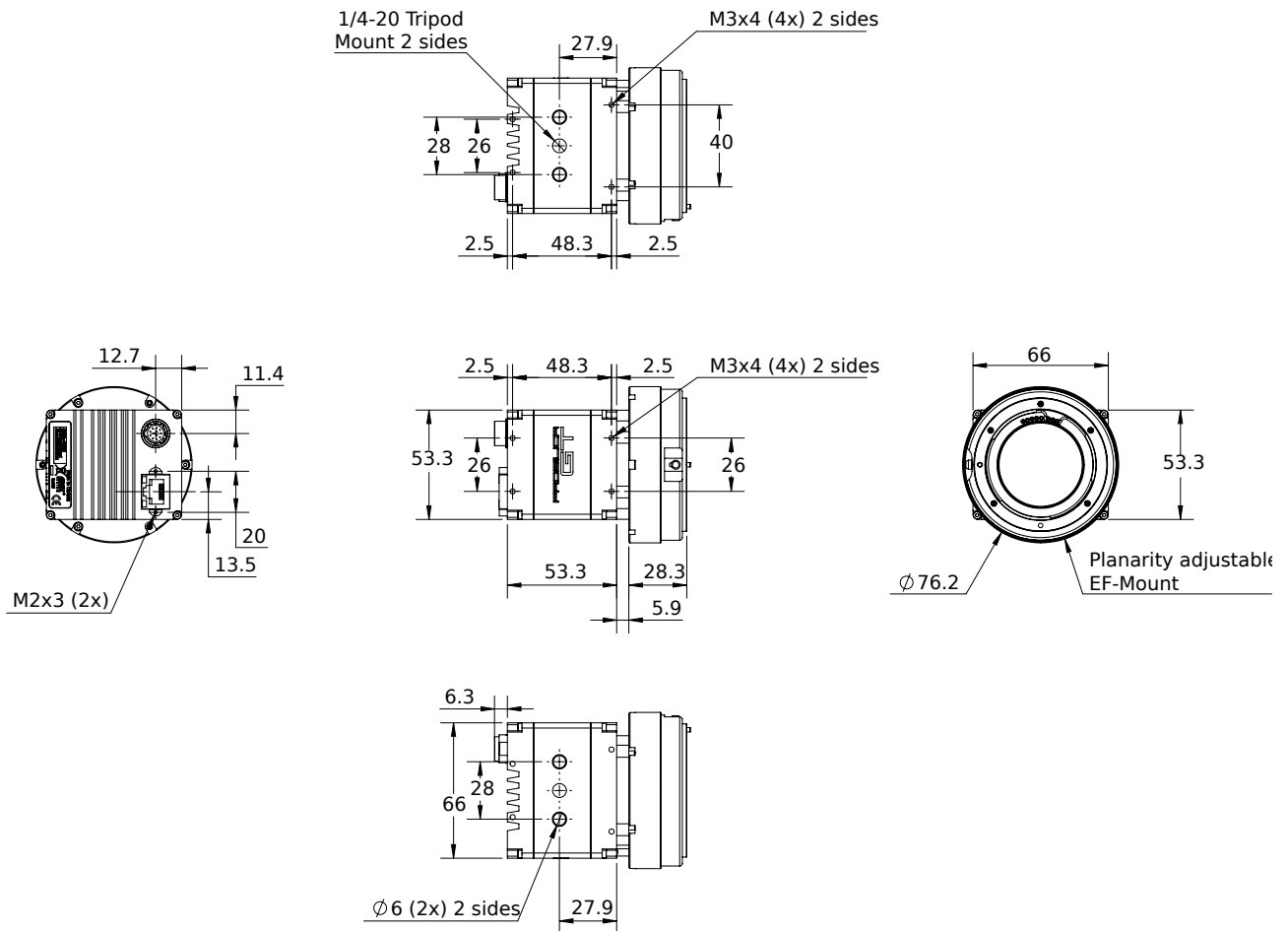
- Auto gain (manual gain control: 0 to 40 dB; 0.1 dB increments)
- Auto exposure (exposure time control varies by per pixel format)
- Auto white balance (GT1930LC only)
- Binning (horizontal and vertical)
- BlackLevel (offset)
- Color correction, hue, saturation (GT1930LC only)
- Decimation X/Y
- Gamma correction

- Three look-up tables
- Region of interest, separate region for auto features
- Reverse X/Y

## Camera control features:

- EF lens control
- Event channel
- Image chunk data
- IEEE 1588 Precision Time Protocol
- RS232
- Storable user sets
- StreamBytesPerSecond (bandwidth control)
- Stream hold
- Sync out modes: Trigger ready, input, exposing, readout, imaging, strobe, GPO
- Temperature monitoring (sensor board and main board)
- Trigger over Ethernet Action Commands

## Technical drawing



## Applications

Prosilica GT1930L is ideal for a wide range of applications including:

- Outdoor imaging
- Traffic imaging and Intelligent Traffic Systems
- Public security and surveillance
- Industrial inspection
- Machine vision
- Military and space applications