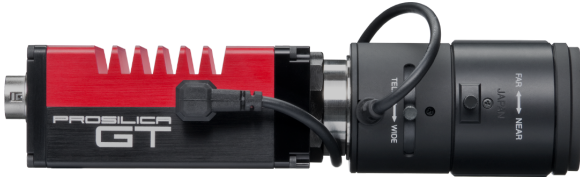


Prosilica GT 2460



- Versatile temperature range for extreme environments
- IEEE 1588 PTP
- Power over Ethernet
- P-Iris and DC-Iris lens control

Engineered for every environment

High-resolution cameras for demanding applications

Prosilica GT 2460 with Sony IMX264 runs 23.7 frames per second at 5.1 MP resolution.

The rugged housing optimized for heat dissipation makes Prosilica GT the ideal solution for harsh environments. The various lens control options allow constant adjustment of the image brightness to changing light conditions. Offering resolutions of up to 31 megapixels, they are ideal for high-definition imaging applications with demanding requirements of robustness and design-in flexibility.

Easy software integration with Allied Vision's [Vimba Suite](#) and compatibility to the most popular [third party image-processing libraries](#).

See the [Modular Concept](#) for lens mount, housing variants, optical filters, case design, and other modular options. See the [Customization and OEM Solutions](#) webpage for additional options.

Specifications

| Prosilica GT 2460 | |
|-------------------|---|
| Interface | IEEE 802.3 1000BASE-T, IEEE 802.3af (PoE) |
| Resolution | 2464 (H) × 2056 (V) |
| Sensor | Sony IMX264 |
| Sensor type | CMOS |
| Shutter mode | Global shutter |
| Sensor size | Type 2/3 |

Prosilica GT 2460

| | |
|------------------------------------|--|
| Pixel size | 3.45 μm \times 3.45 μm |
| Lens mounts (available) | C-Mount, CS-Mount, F-Mount, M42-Mount |
| Max. frame rate at full resolution | 23.7 fps |
| ADC | 12 Bit |
| Image buffer (RAM) | 128 MByte |

Imaging performance

Imaging performance data is based on the evaluation methods in the EMVA 1288 Release 3.1 standard for characterization of image sensors and cameras. Measurements are typical values for monochrome models measured at full resolution without optical filter.

| | |
|--------------------------------|-------------|
| Quantum efficiency at 529 nm | 64 % |
| Temporal dark noise | 2.1 e^- |
| Saturation capacity | 10400 e^- |
| Dynamic range | 71.7 dB |
| Absolute sensitivity threshold | 2.7 e^- |

Output

| | |
|--------------------------|--|
| Bit depth | 12 Bit |
| Monochrome pixel formats | Mono8, Mono12, Mono12Packed |
| YUV color pixel formats | YUV411Packed, YUV422Packed, YUV444Packed |
| RGB color pixel formats | RGB8Packed, BGR8Packed |
| Raw pixel formats | BayerRG8, BayerRG12, BayerRG12Packed |

General purpose inputs/outputs (GPIOs)

| | |
|--------------------|--------------------|
| TTL I/Os | 1 input, 2 outputs |
| Opto-isolated I/Os | 1 input, 2 outputs |
| RS232 | 1 |

Operating conditions/dimensions

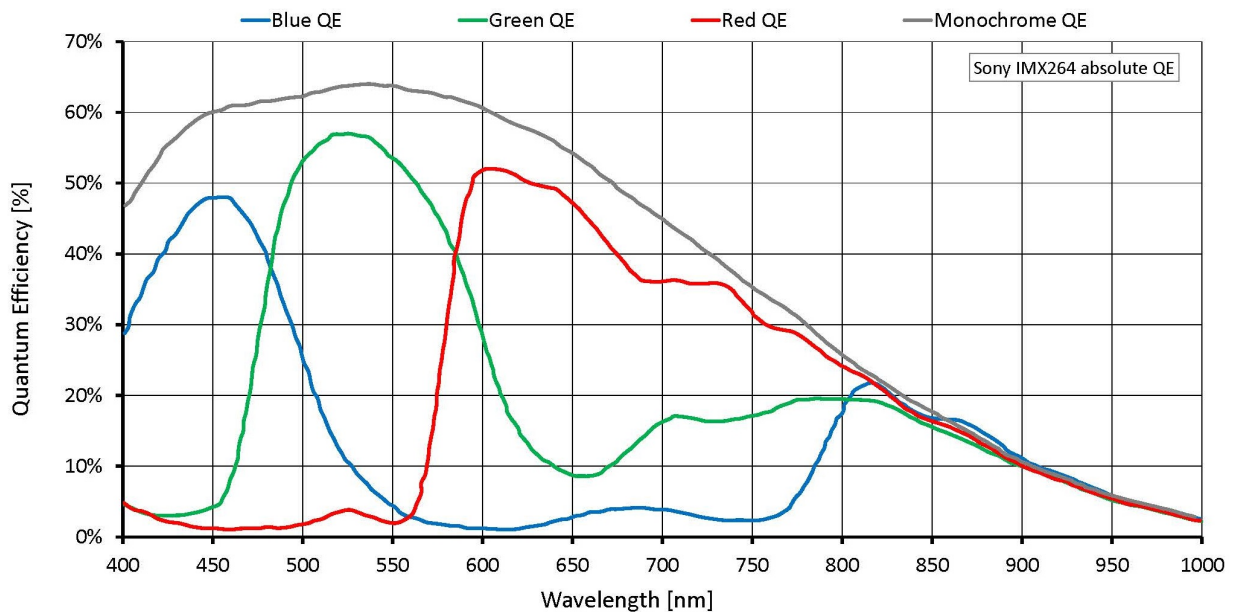
| | |
|---|---|
| Operating temperature | -20 °C to +65 °C ambient (without condensation) |
| Power requirements (DC) | 7 to 25 VDC AUX or 802.3at Type 1 PoE |
| Power consumption | 3.4 W at 12 VDC; 4.2 W PoE |
| Mass | 211 g |
| Body dimensions (L \times W \times H in mm) | 86 \times 53 \times 33 (including connectors) |

Prosilica GT 2460

Regulations

CE: 2014/30/EU (EMC), 2011/65/EU, including amendment 2015/863/EU (RoHS); FCC Class A; CAN ICES-003 Issue 4/5

Quantum efficiency



Features

Image optimization features:

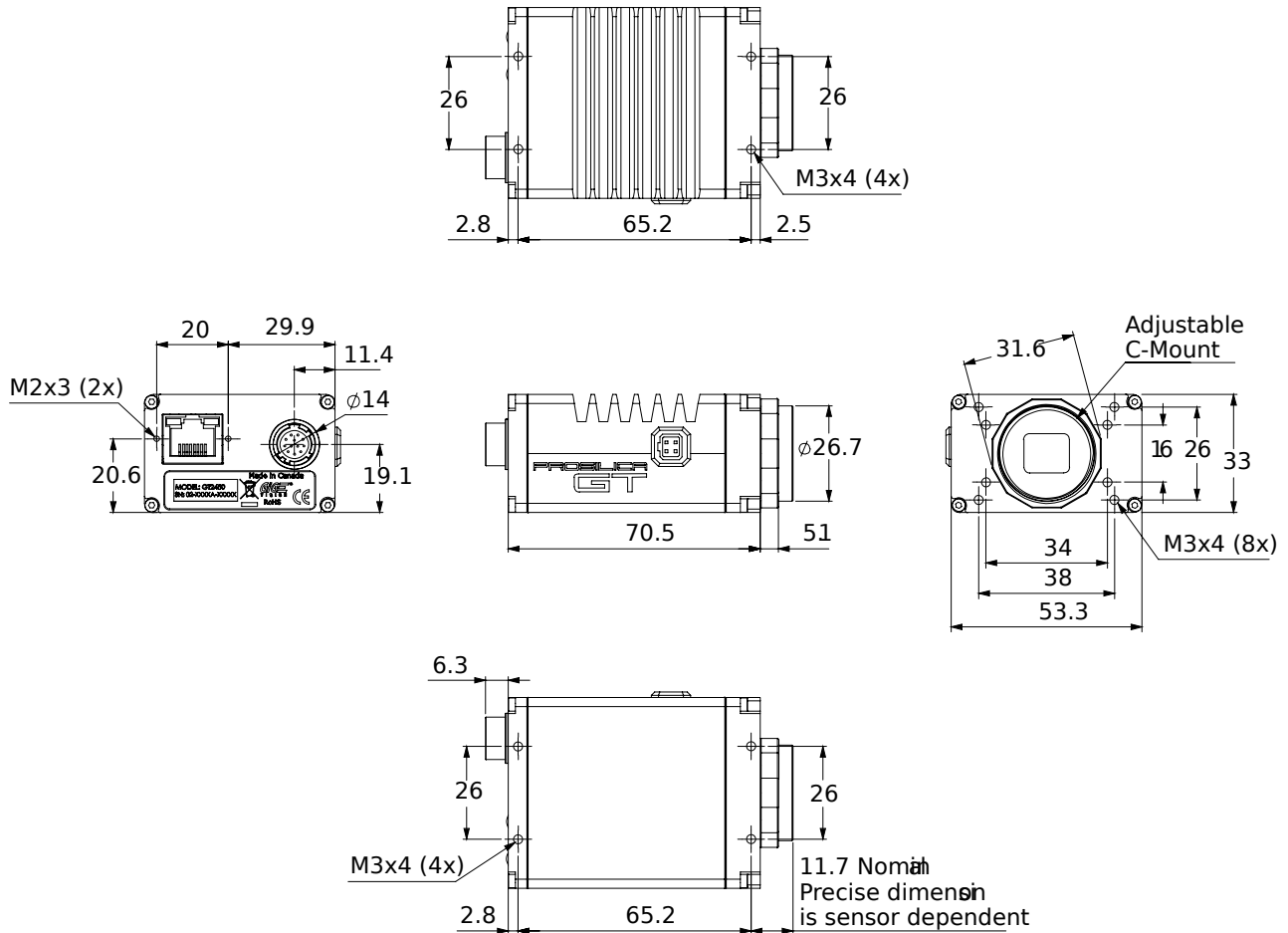
- Auto gain (manual gain control: 0 to 40 dB, 0.1 dB increments)
- Auto exposure (exposure time control varies by pixel format)
- Auto white balance (GT2460C only)
- Binning (horizontal and vertical)
- Color correction, hue, saturation (GT2460C only)
- Decimation X, Decimation Y
- Gamma correction
- Three look-up tables
- Region of interest, separate region for auto features

- Reverse X, Reverse Y

Camera control features:

- P-Iris and DC-Iris lens control
- Event channel
- Image chunk data
- IEEE 1588 Precision Time Protocol
- RS232
- Storable user sets
- StreamBytesPerSecond (bandwidth control)
- Stream hold (up to 26 frames at full resolution)
- Sync out modes: Trigger ready, input, exposing, readout, imaging, strobe, GPO
- Temperature monitoring (main board and sensor board)
- Trigger over Ethernet Action Commands

Technical drawing



Applications

Prosilica GT2460 is ideal for a wide range of applications including:

- Outdoor imaging
- Traffic imaging and Intelligent Traffic Systems
- Public security and surveillance
- Industrial inspection
- Machine vision
- Military and space applications